

FABRIC at Jodrell Bank Observatory

Ralph Spencer, Bryan Anderson and
Richard Hughes-Jones

The University of Manchester

22 March 2005



JBO projects: expertise

- ALMA, EVLA and eMERLIN optical links
30-120 Gbps per antenna
- MERLIN system and correlator
- JIVE correlator station units
- MkIV VLBI installation
- eVLBI and network development

FABRIC WP1.2. Broadband data path

- Make strategic decision on transport mechanism that is optimal for future e-VLBI application: scalable to large bandwidth, relaxed fault tolerance, multicasting, Grid enabled.

- **1.2.1. Broadband protocols**

Investigate different IP protocols vs lambda switching 1 new FTE 1 FTE contrib JBO

- **1.2.2. Broadband data processor interface**

Develop interface to public network, e-MERLIN processor 1.0 1.0 JBO

- **1.2.3. Broadband integration and test**

Test with 10Gb/s using Onsala station 1.0 1.0 ONS

- **1.2.4. Public to private network interface**

LOFAR transport, LO & timing issues 1.0 1.0 ASTRON

Fabric Timelines: START 1st March

- **Protocol**
 - strategic document May 06
 - TCP variant, non TCP, VSI-E Aug 06
 - Multicast Jan 07
 - Test 4 Gbps capacity April 07
 - Report April 07
- **Broadband e-MERLIN**
 - Connections May 07
 - FPGA interface Nov 07
 - Interface available Sept 08
- **Broadband test**
 - start Aug 06
 - data acq device at telescope Jan 08
 - Scientific demo Oct 08

ESLEA

Exploitation of Switched Lightpaths for e-Science Applications

Project Partners



Project Collaborators



Funded by

£1.1 M, 11.5 FTE



EPSRC GR/T04465/01

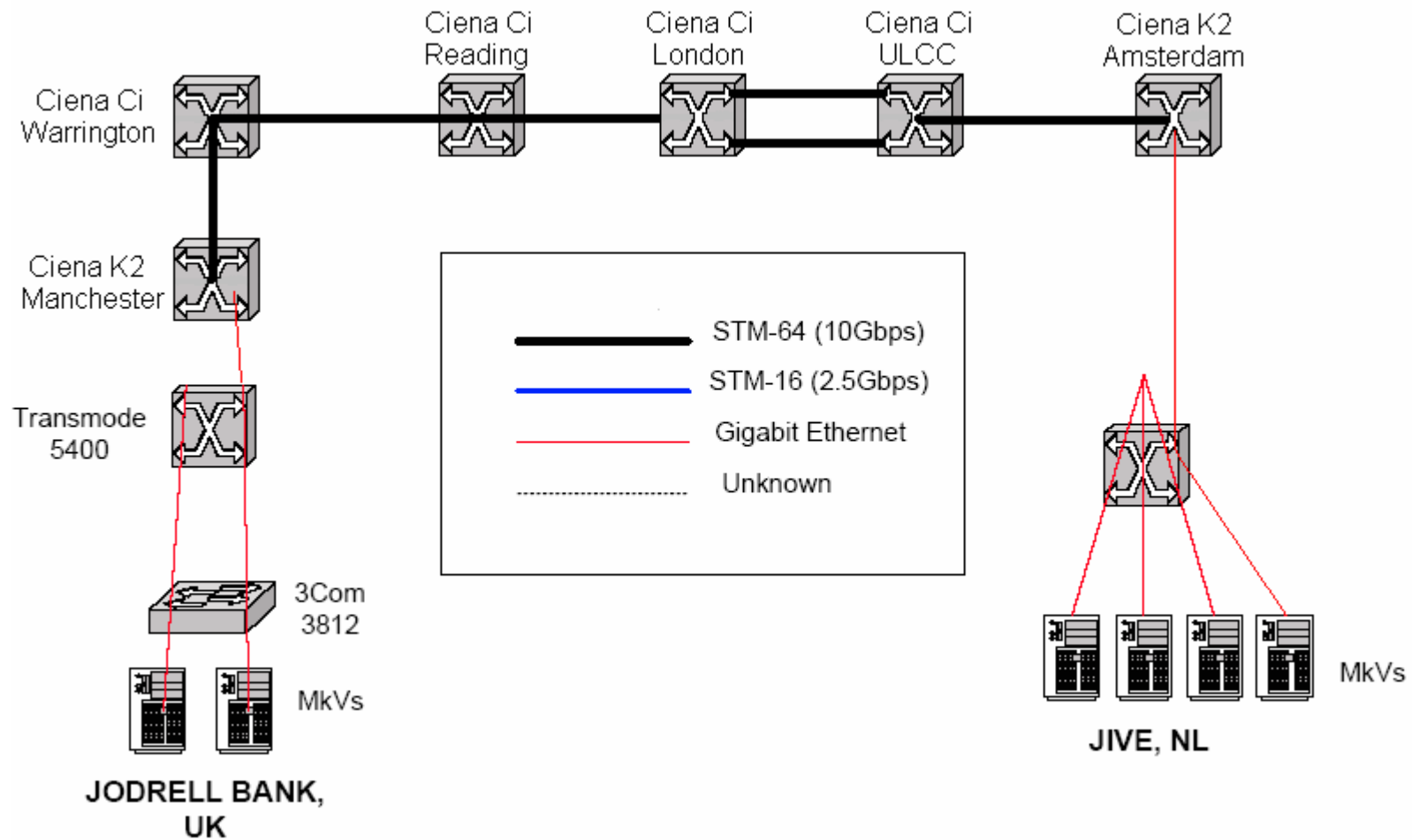


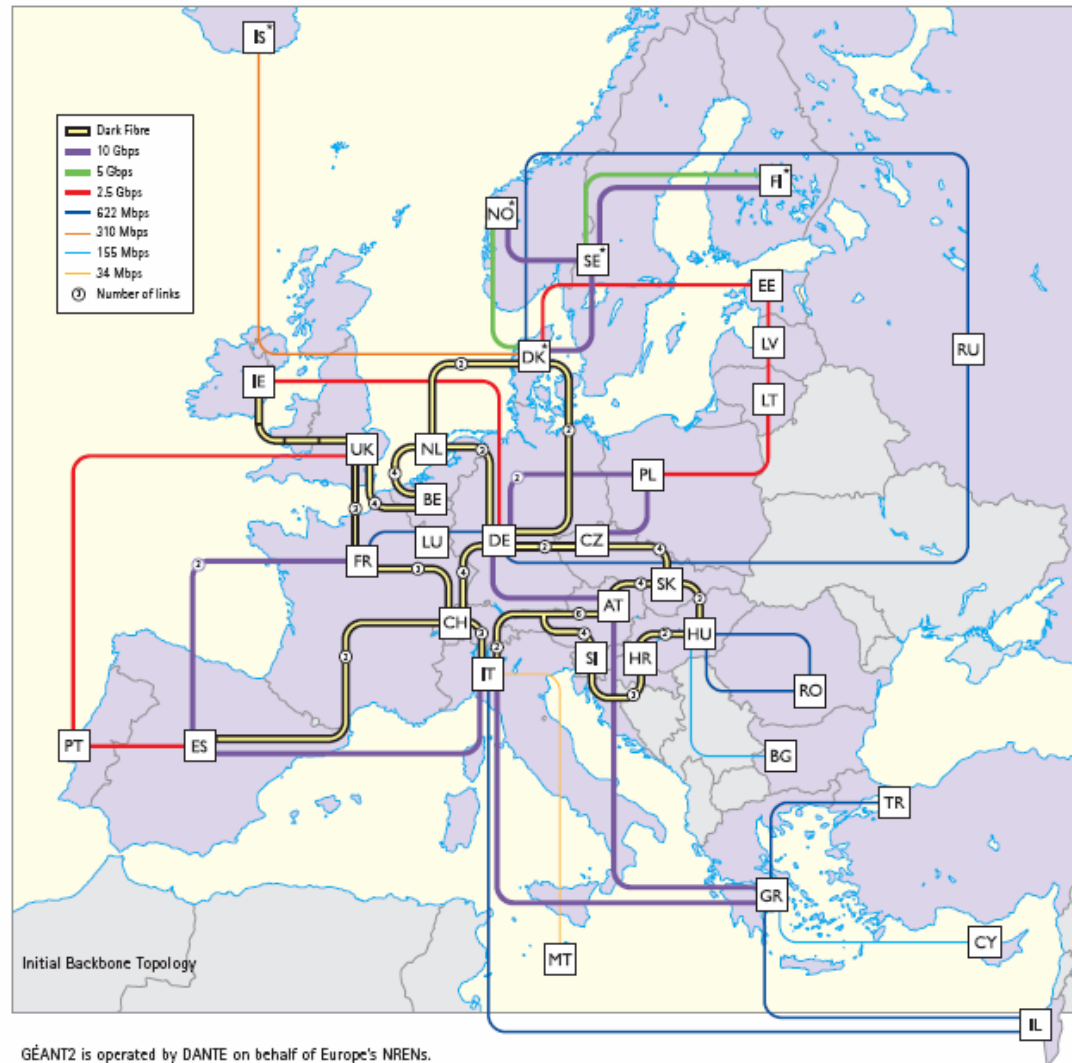
www.eslea.uklight.ac.uk



- **e-VLBI development:**
 - Investigate network, compare with switched light paths, get 512 Mbps VLBI data flows.
 - Matt Strong PDRA started Oct 05, finish July 07
- **Protocols: Develop non-TCP data transport**
 - UDPVLBI developed by Simon Casey JBO
 - DCCP developed at UCL
 - VSI-E, Tsnami, SCTP to be looked at
 - Tests using vlbi data streams
 - ESLEA funding ends July 07
 - 1st yr forms contributed work to FABRIC, 2nd yr funded by EXPRoS
 - RA Advert just placed.
- *Work fits in nicely with FABRIC WP1.2.1*

UKLight Switched light path





GEANT2 is operated by DANTE on behalf of Europe's NRENs.

Routes across GEANT used by eVLBI MkVs

17 Feb 08

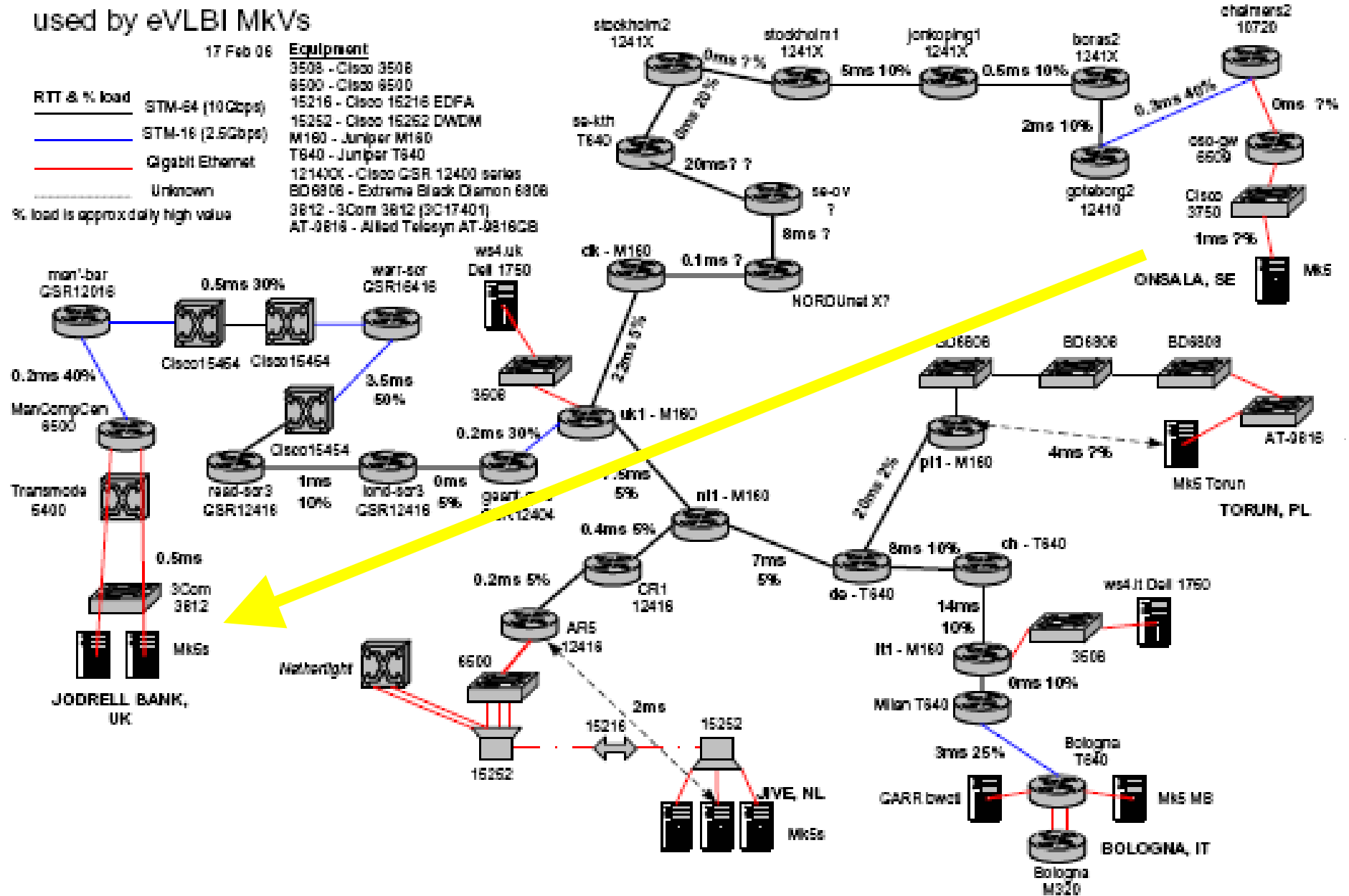
Equipment

- 3508 - Cisco 3508
- 8500 - Cisco 8500
- 15216 - Cisco 15216 EDFA
- 15252 - Cisco 15252 DWDM
- M160 - Juniper M160
- T840 - Juniper T840
- 12140X - Cisco GSR 12400 series
- BD 8808 - Extreme Black Diamond 8808
- 3812 - 3Com 3812 (3C17401)
- AT-9818 - Allied Telesyn AT-9818GB

RTT & % load

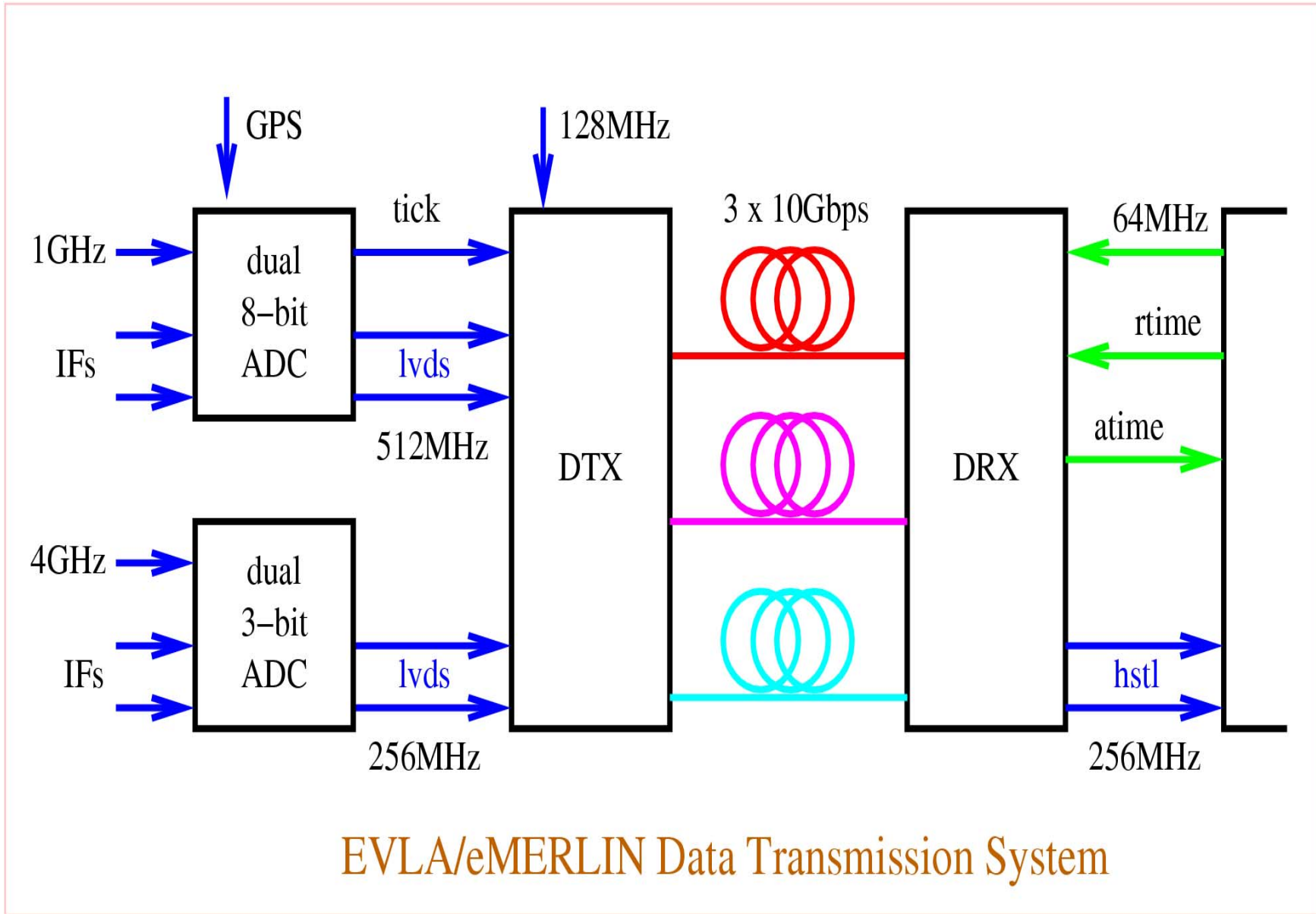
- STM-64 (10Gbps)
- STM-16 (2.5Gbps)
- Gigabit Ethernet
- Unknown

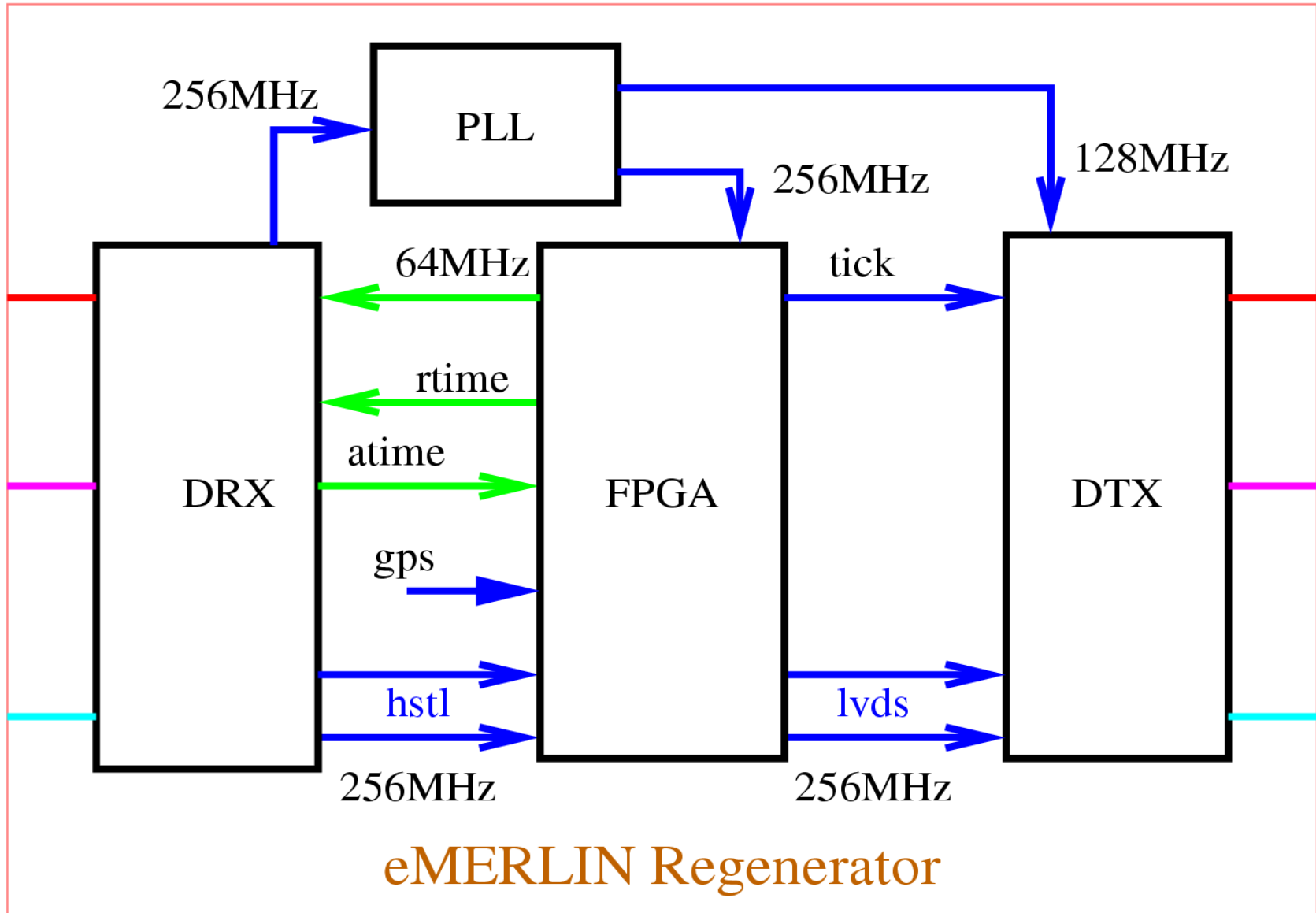
% load is approximately high value

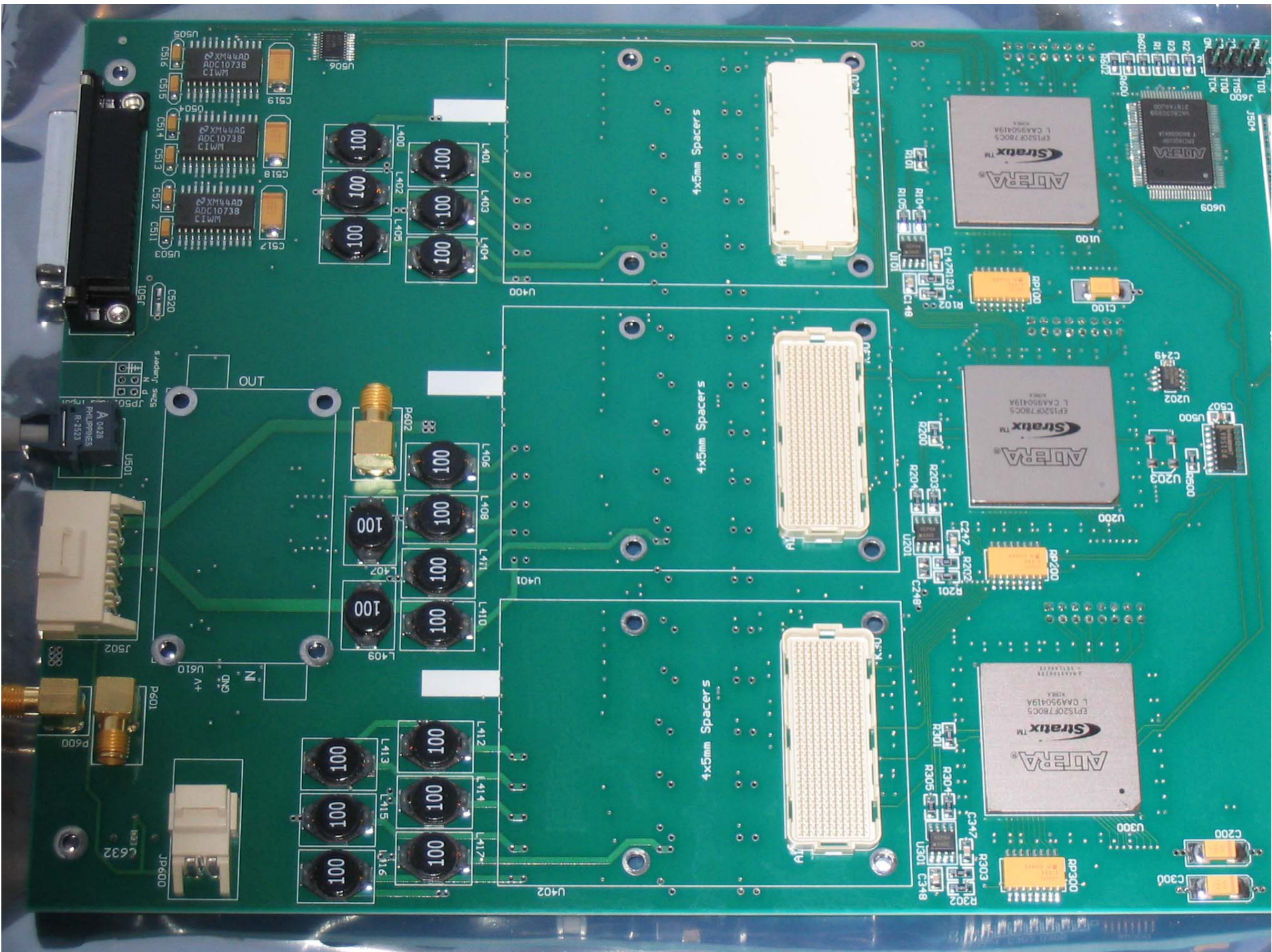


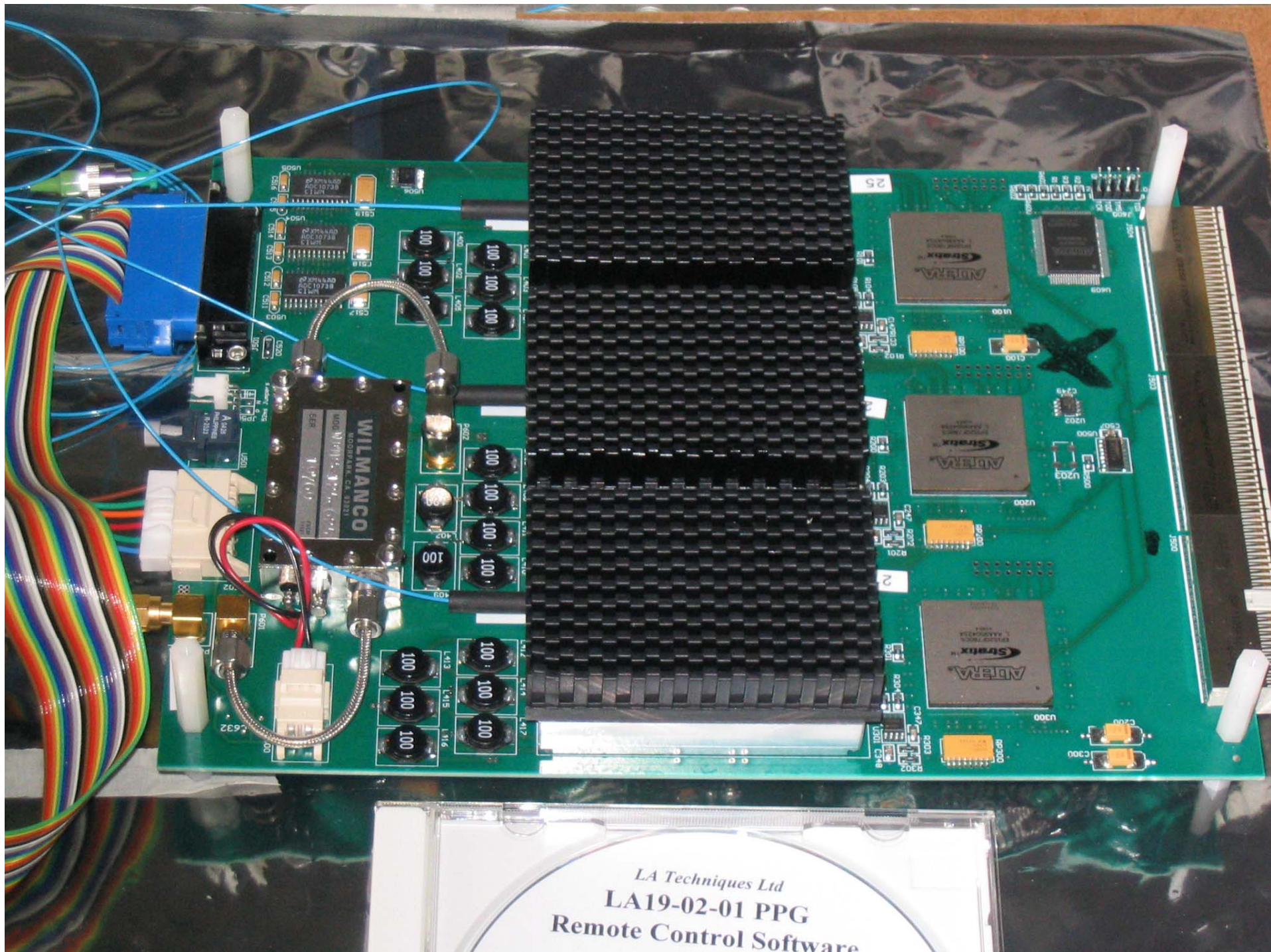
Broadband Data Path – the hardware

- 4 Gbps or more Onsala-eMERLIN correlator
- Use lightpath connection (Nordunet, GEANT2, SuperJANET5)
- Needs
 - Data acquisition at Onsala –How?
 - Format conversion
 - Transmission on Network - 10 GE or multi 1 GE?
 - 10 GE link JBO-Manchester connection to UKLight
 - Format conversion to eMERLIN correlator









LA Techniques Ltd
LA19-02-01 PPG
Remote Control Software



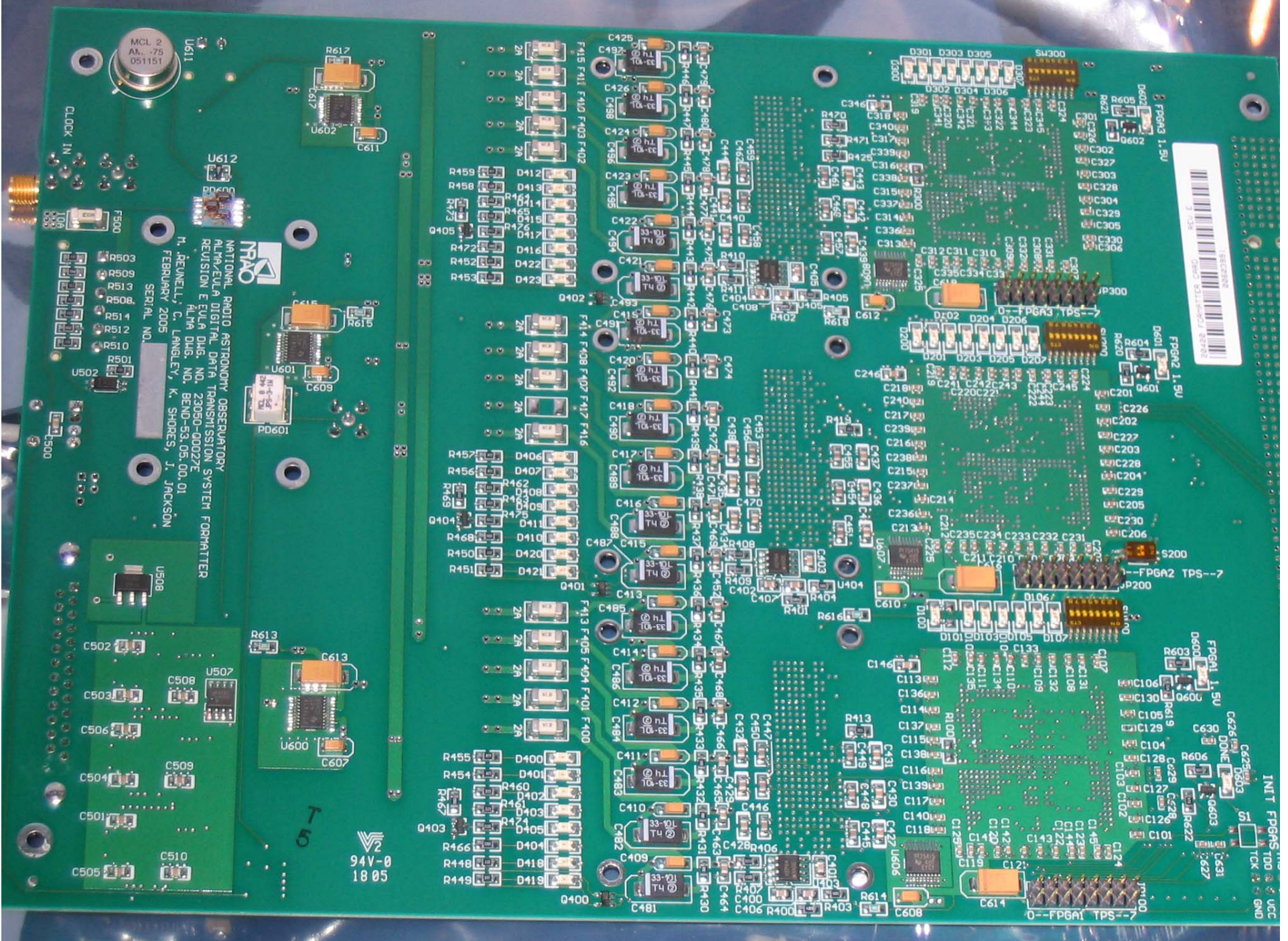
MCL 2
Alt. -75
051151

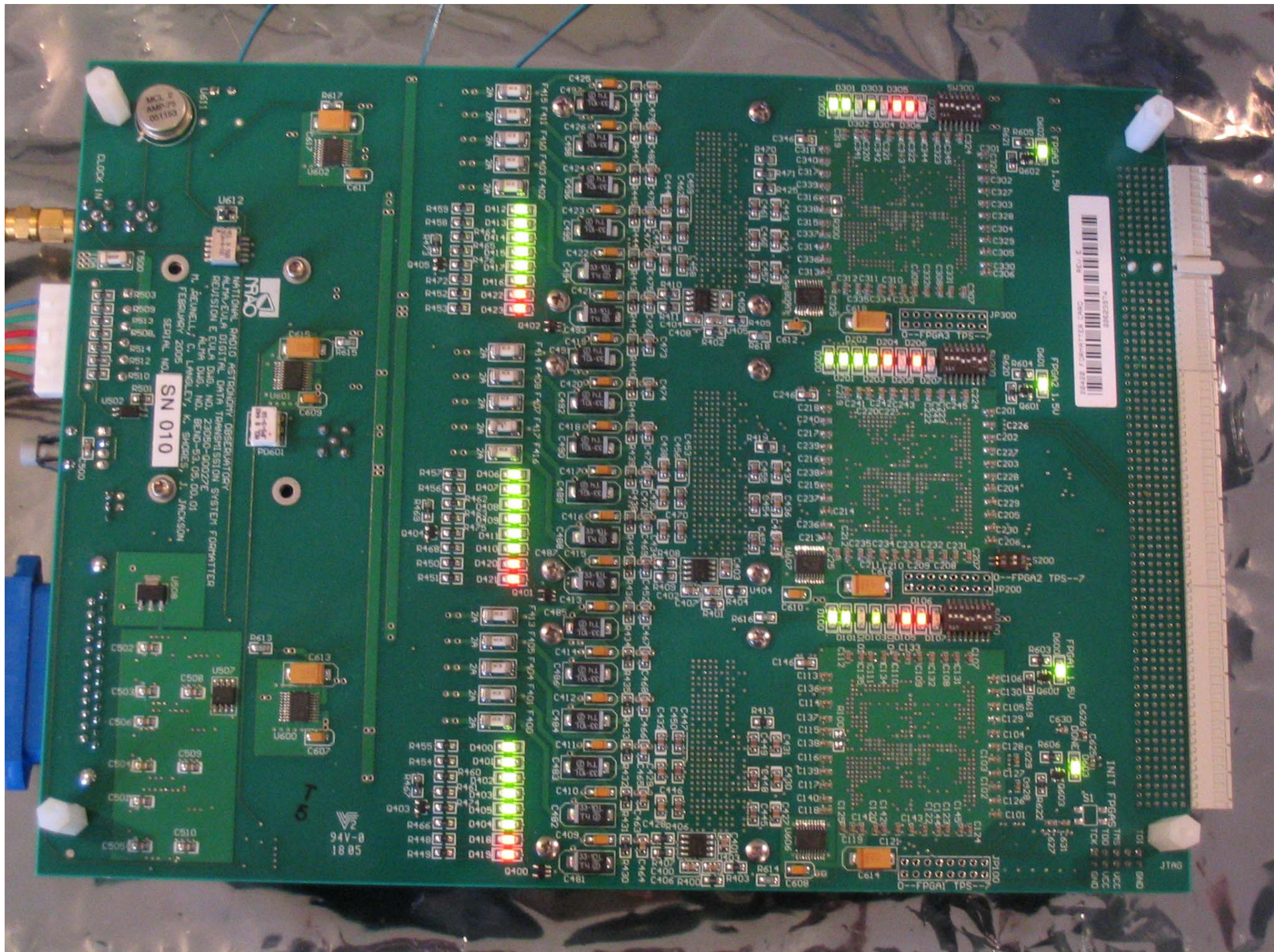
NATIONAL RADIO ASTRONOMY OBSERVATORY
ALMA/DIGITAL DATA TRANSMISSION SYSTEM FORMATTER
REVISION E EULA DRG. NO. 23090-0002ZE
ALMA DRG. NO. BEND-53.05.00.01
H. BEUNELL, C. LANLEY, K. SHORRS, J. JACKSON
FEBRUARY 2005
SERIAL NO.



94V-0
18 05

INIT FPGA3
TOD
TCK
GND





MCL 2 AMP-1 051153
U611

D.DOCK IN

F750
R283
R284
R285
R286
R287
R288
R289
R290
R291
R292
R293
R294
R295
R296
R297
R298
R299
R300

NATIONAL RADIO ASTRONOMY OBSERVATORY
ALMA-EMULA DIGITAL DATA TRANSMISSION SYSTEM FORMATTER
REVISION E DATA DAUGHTER BOARD, NO. Z3890-00027C
R196 DAUGHTER BOARD, NO. B310-03_05_00_01
H. DEWELL, C. LAMBLEY, K. BRADLEY, J. JACKSON
SEPTEMBER 2005

Serial No. SN 010

F750
R283
R284
R285
R286
R287
R288
R289
R290
R291
R292
R293
R294
R295
R296
R297
R298
R299
R300

U508

C802
C503
C506
C509
C508
C507
C510
C510

C802
C503
C506
C509
C508
C507
C510
C510

C802
C503
C506
C509
C508
C507
C510
C510

C802
C503
C506
C509
C508
C507
C510
C510

C802
C503
C506
C509
C508
C507
C510
C510

C802
C503
C506
C509
C508
C507
C510
C510

C802
C503
C506
C509
C508
C507
C510
C510

C802
C503
C506
C509
C508
C507
C510
C510

94V-8
1805

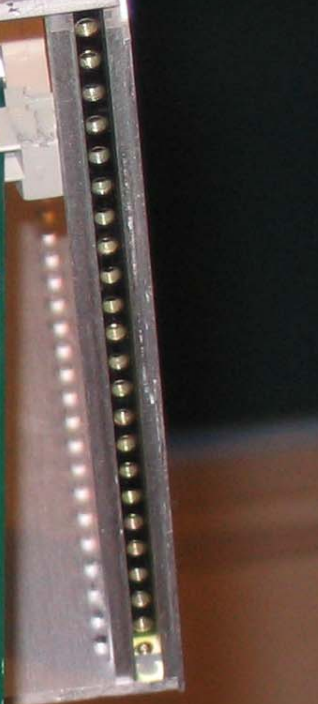
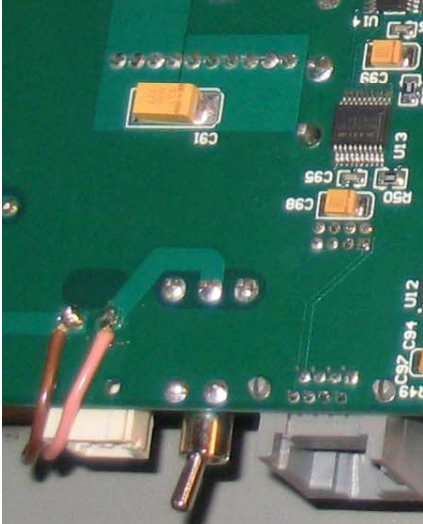
94V-8
1805

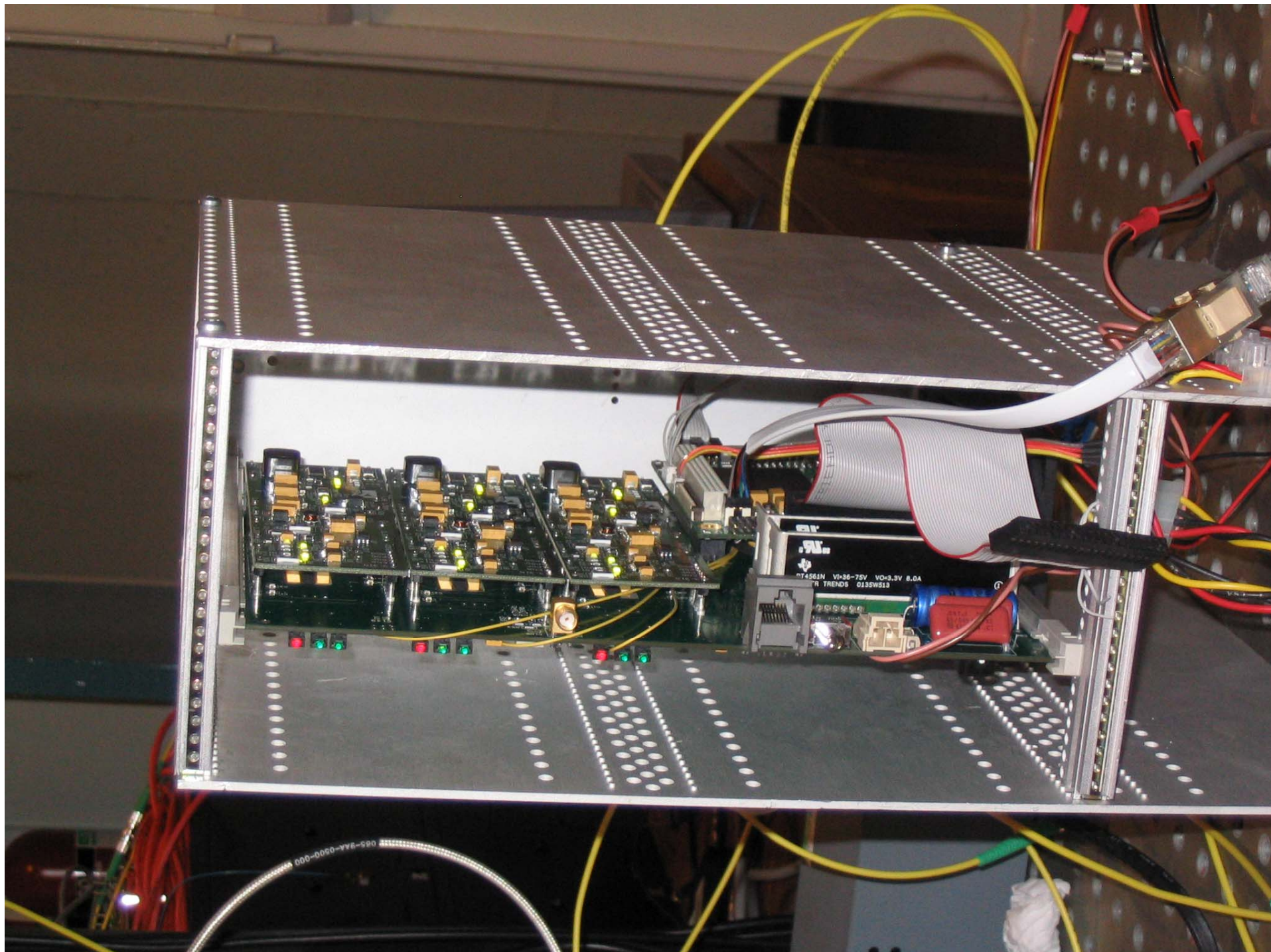
94V-8
1805

7432323
REV. J
NATIONAL INSTRUMENTS CORPORATION
4401 RIVERSIDE DRIVE
DENVER, CO 80231

FPGA1 1-SU
FPGA2 1-SU
FPGA3 1-SU
FPGA4 1-SU
FPGA5 1-SU
FPGA6 1-SU
FPGA7 1-SU
FPGA8 1-SU
FPGA9 1-SU
FPGA10 1-SU
FPGA11 1-SU
FPGA12 1-SU
FPGA13 1-SU
FPGA14 1-SU
FPGA15 1-SU
FPGA16 1-SU
FPGA17 1-SU
FPGA18 1-SU
FPGA19 1-SU
FPGA20 1-SU
FPGA21 1-SU
FPGA22 1-SU
FPGA23 1-SU
FPGA24 1-SU
FPGA25 1-SU
FPGA26 1-SU
FPGA27 1-SU
FPGA28 1-SU
FPGA29 1-SU
FPGA30 1-SU
FPGA31 1-SU
FPGA32 1-SU
FPGA33 1-SU
FPGA34 1-SU
FPGA35 1-SU
FPGA36 1-SU
FPGA37 1-SU
FPGA38 1-SU
FPGA39 1-SU
FPGA40 1-SU
FPGA41 1-SU
FPGA42 1-SU
FPGA43 1-SU
FPGA44 1-SU
FPGA45 1-SU
FPGA46 1-SU
FPGA47 1-SU
FPGA48 1-SU
FPGA49 1-SU
FPGA50 1-SU
FPGA51 1-SU
FPGA52 1-SU
FPGA53 1-SU
FPGA54 1-SU
FPGA55 1-SU
FPGA56 1-SU
FPGA57 1-SU
FPGA58 1-SU
FPGA59 1-SU
FPGA60 1-SU
FPGA61 1-SU
FPGA62 1-SU
FPGA63 1-SU
FPGA64 1-SU
FPGA65 1-SU
FPGA66 1-SU
FPGA67 1-SU
FPGA68 1-SU
FPGA69 1-SU
FPGA70 1-SU
FPGA71 1-SU
FPGA72 1-SU
FPGA73 1-SU
FPGA74 1-SU
FPGA75 1-SU
FPGA76 1-SU
FPGA77 1-SU
FPGA78 1-SU
FPGA79 1-SU
FPGA80 1-SU
FPGA81 1-SU
FPGA82 1-SU
FPGA83 1-SU
FPGA84 1-SU
FPGA85 1-SU
FPGA86 1-SU
FPGA87 1-SU
FPGA88 1-SU
FPGA89 1-SU
FPGA90 1-SU
FPGA91 1-SU
FPGA92 1-SU
FPGA93 1-SU
FPGA94 1-SU
FPGA95 1-SU
FPGA96 1-SU
FPGA97 1-SU
FPGA98 1-SU
FPGA99 1-SU
FPGA100 1-SU

RECEIVER/DEFORMATTER
DRAWING NO. 23340-000010
SERIAL NO. MICHAEL REUNELL AUGUST 2004





Export/Import of Data

- Signals are streamed
- Data are packed
 - Requires
 - Protocol: custom internally
 - Interfaces: custom internally
- Significant free logic in our Xilinx-4 SX35s
- Relatively simple PCB required to extract to or from eMERLIN data in filtered form via IS protocol.

Personnel:

Doing Other Things

- New Protocol RA
- New digital engineer